



STEELWELD

ENVIRO PRODUCTS

STEELWELD STROBE ECS 1500



The Steelweld Strobe ECS 1500 is a mobile eddy current separator using a powerful magnetic field to separate ferrous and non-ferrous metals, such as aluminium and copper from a variety of materials. Incorporating the Master Magnets ECS150 ensures that optimal separation and a maximum yield is achieved, it can process up to 25TPH depending on source material density.

The Steelweld Strobe ECS 1500 comes with crawler tracks, an on-board diesel generator and hydraulic power pack allowing for easy site manoeuvrability and can be transported on a low loader trailer without permits. Its unique low feed height allows it to be directly fed from a Trommel. With quick set up times and an easy to use push button control panel, this innovative design means high performance and low maintenance.

Features

- Horizontal Vibratory feeder
- Low feed height
- Rare earth drum for ferrous metal separation
- 1500mm wide Master Magnets ECS for non-ferrous metal separation
- 3 integrated inclined discharge conveyors with hydraulic folding
- On board hydraulic power pack for crawler tracks control and hydraulic controls
- Powered by on board 65kW Generator or via mains electricity (customer supplied) via interlock switch
- Adjustable speed control on ECS rotor and ECS belt for optimal separation
- On board air compressor to allow cleaning of the machine
- On board working lights

Applications

- Municipal Solid Waste
- C&D Reclaim
- Incinerator Slag
- Biomass
- Shredded Wood
- Crushed Glass



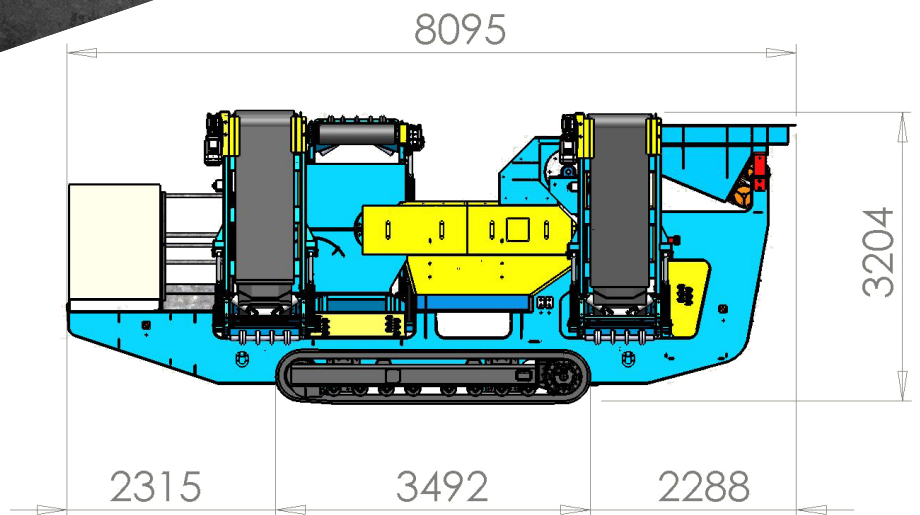


STEELWELD

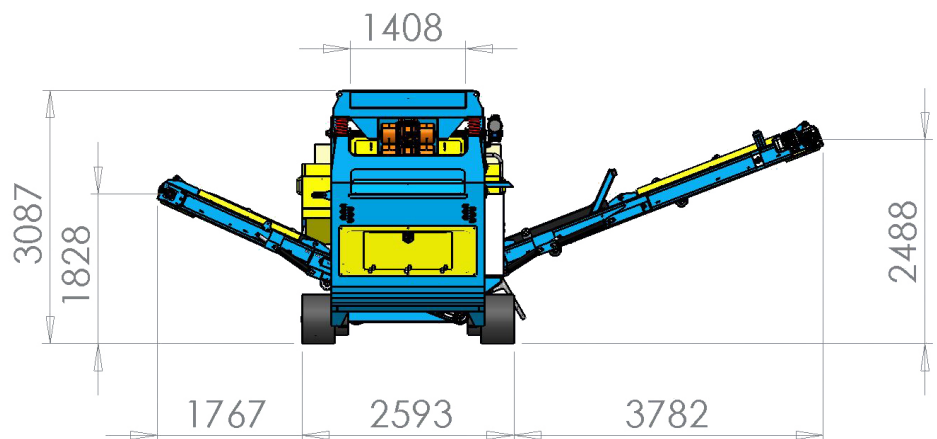
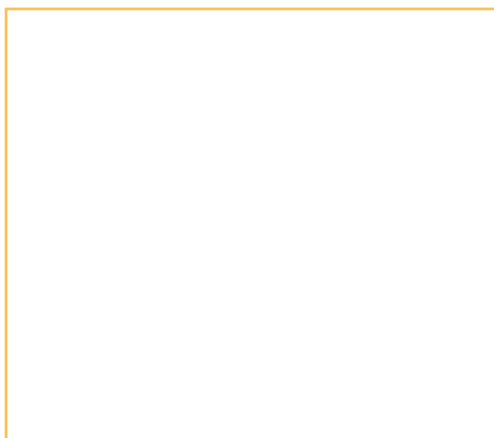
ENVIRO PRODUCTS

STEELWELD STROBE ECS 1500

Pan Feeder	2.46 long x 1.4 wide tray
Rare Earth Magnet	1550mm wide
Master Magnets ECS 150 Eddy Current	1500mm wide belt
Ferrous Metal Conveyor	650mm wide Chevron Belt
Non-Ferrous Metal Conveyor	650mm wide Chevron Belt
Non-Metallic Conveyor	800mm wide Chevron Belt
Power	65kVA Perkins Diesel Generator
Transport Dimensions	8.1m(l) x 2.85m(w) x 3.2m(h)
Weight	14,000kg



Dealer Information



Steelweld Fabrications Ltd
 3 Ballyreagh Business Park
 Sandholes Road
 Coosktown BT80 9AR

T: 028 867 66495
F: 028 867 66496
E: sales@steelweld.co.uk
www.steelweld.co.uk